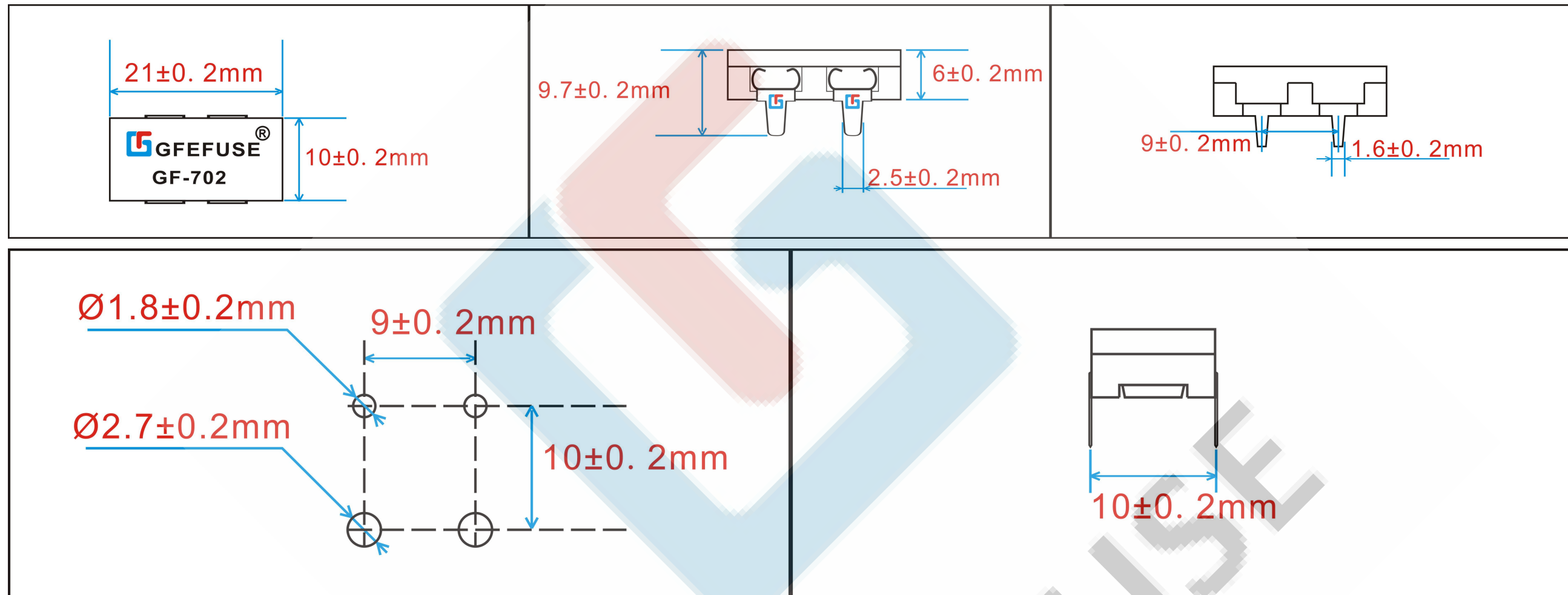


(GF-702 car insert fuse holder (horizontal medium car insert fuse holder))

1. Product size installation diagram



2. Product introduction

- 1.material: Contacts--brass, T=0.3mm; Base: PBT UL-94V0
 - 2.terminal finish: Tin plated;
 - 3.Practical: Medium size automobile insert fuse (GFEFUSE®GF-B series automobile insert fuse medium size)
 - 4.Suitable rated current: 30A@500VAC.
 - 5.Insertion and extraction force: 1Kg Min.
 - 6.Dielectric Strength: Min.AC1000V.
 - 7.Contact Resistance: Max 50mΩ
 - 8.temperature rise: 130° Max.
 - 9.Insulation Resistance At 500V DC: 100mΩ
 - 10.Welding temperature: 260 °C 3 seconds
- Attention: Product size changes are not notified

The company has obtained the quality system certification of IATF:16949:2016 automobile industry.
The product has obtained UL CE CQC TUV REACH and many international certification.