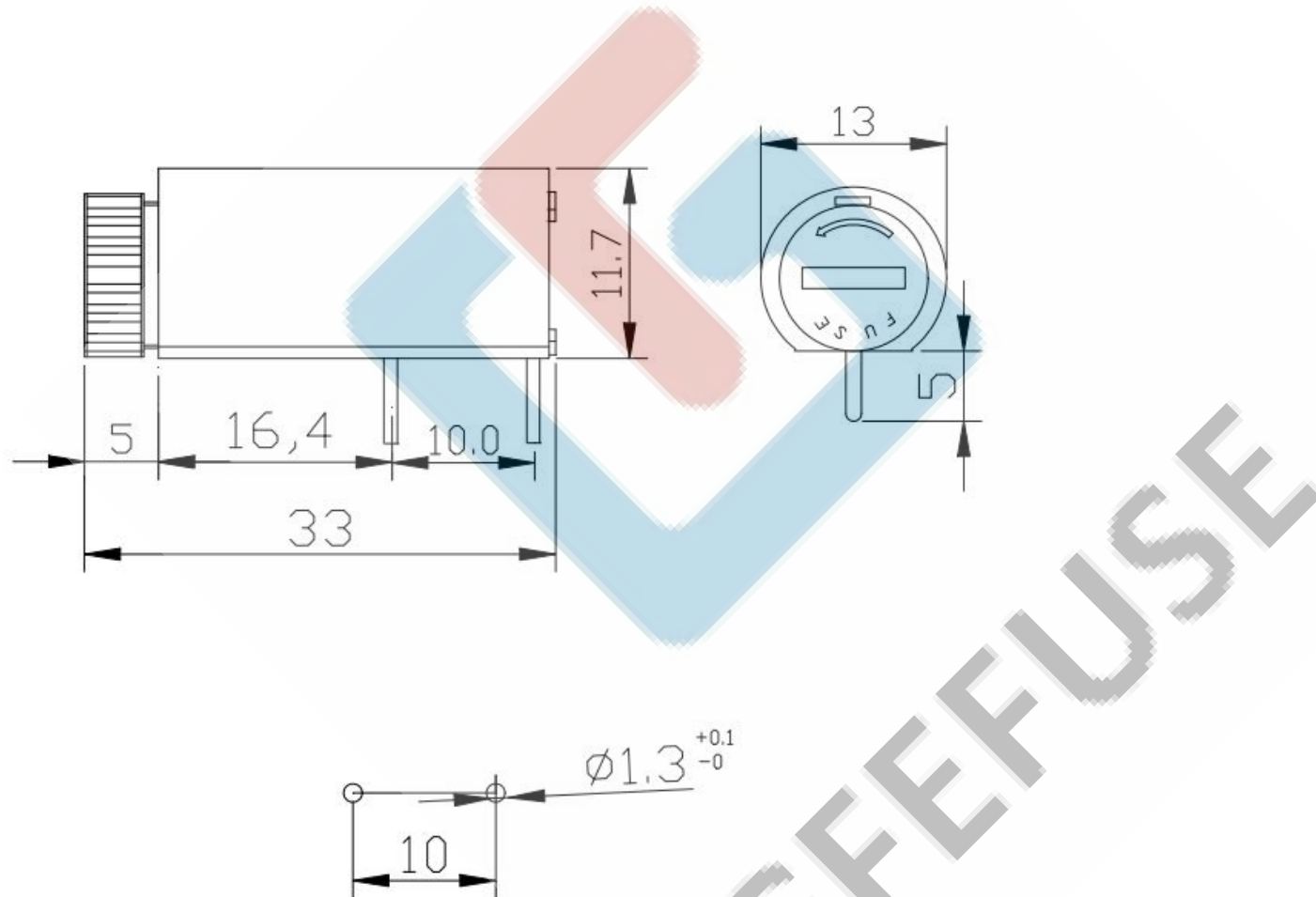


A:Product Dimension Installation Drawings



IATF 16949:2016 Quality System Certification Enterprise

UL CE CQC TUV REACH ROHS Product international quality safety certification

Dongguan GongFu Electronic Co. Ltd. GFEFUSE Focus on safety fuse holder

TEL:0769-82391938

81100206

FAX:0769-82391939

http://www.gfefuse.com

B:Product introduction

- 1.Product model: PTF(50)
- 2.rated current: 2.5w(6.3A) 1.6w(10A)
- 4.rated voltage: 250V/125V (AC/DC)
- 5.split current: 50A
- 6.Base: Black PBT6(UL-94V0)
- 7.terminal: 0.4mm (phosphor)
- 8.withstand voltage: 3000VAC
- 9.contact resistance: <5m Ω
- 10.insulation resistance: >100M Ω
- 11.Product safety certification:UL CE CQC TUV

C:Packaging requirements

A: pedestal 500PCS/ bag

B: transparent protection cover 500PCS/ bag

C:2000pcs/ box

Note: Product changes are not notified

IATF 16949:2016Quality System Certification Enterprise

UL CE CQC TUV REACH ROHS Product international quality safety certification